

sentiment for the past
excitement for the present
respect for the future

A glass inspired by the rotation of the celestial bodies.

The project is inspired by astral systems and the continuous, endless, circular migration of celestial bodies.

Through the use of a bottom, that allows the glass to rotate, the reflections of light and the liquid inside, create an ethereal story and a relationship between a person and a primary object of everyday use.

Astral inspiration

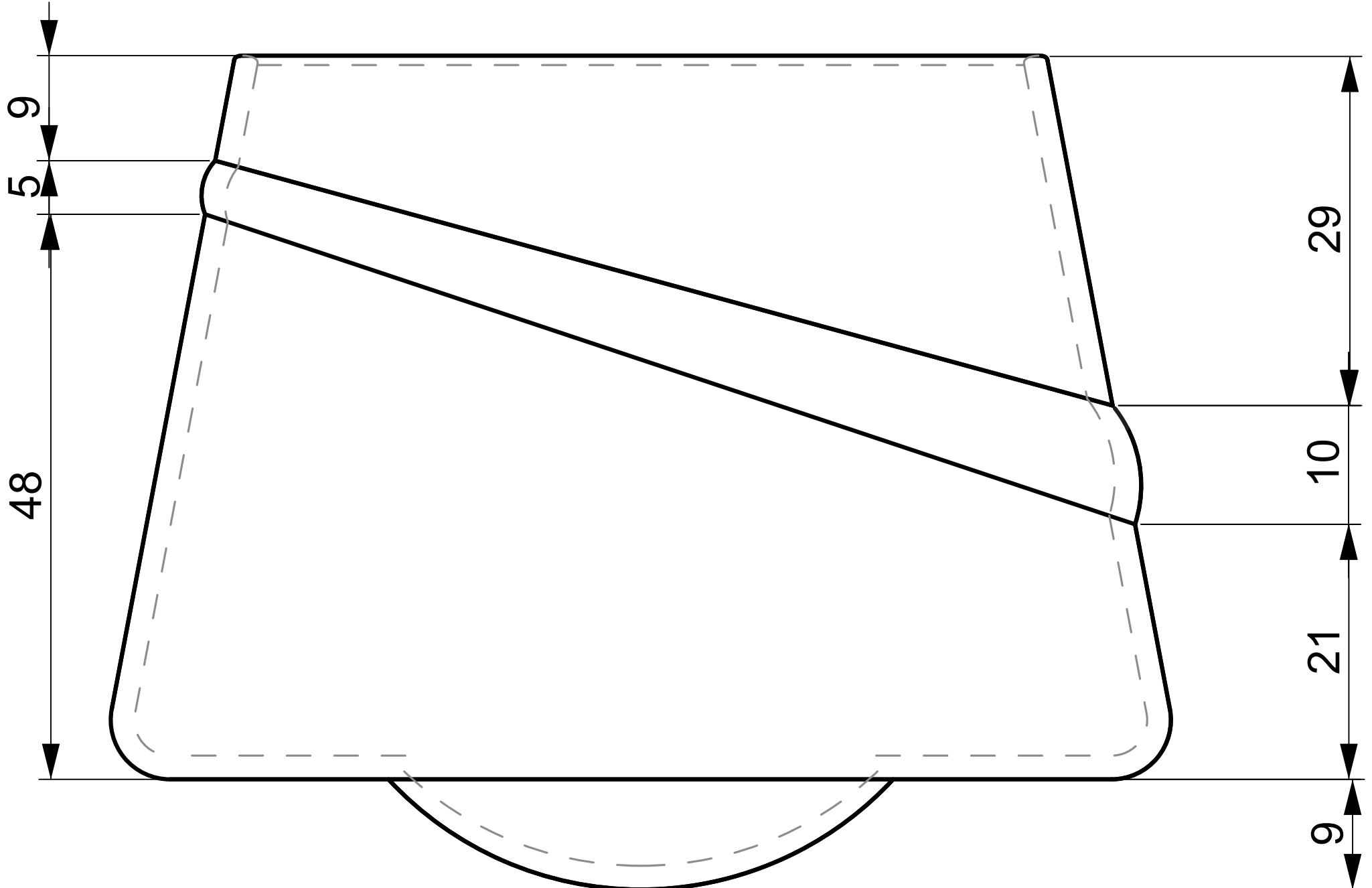
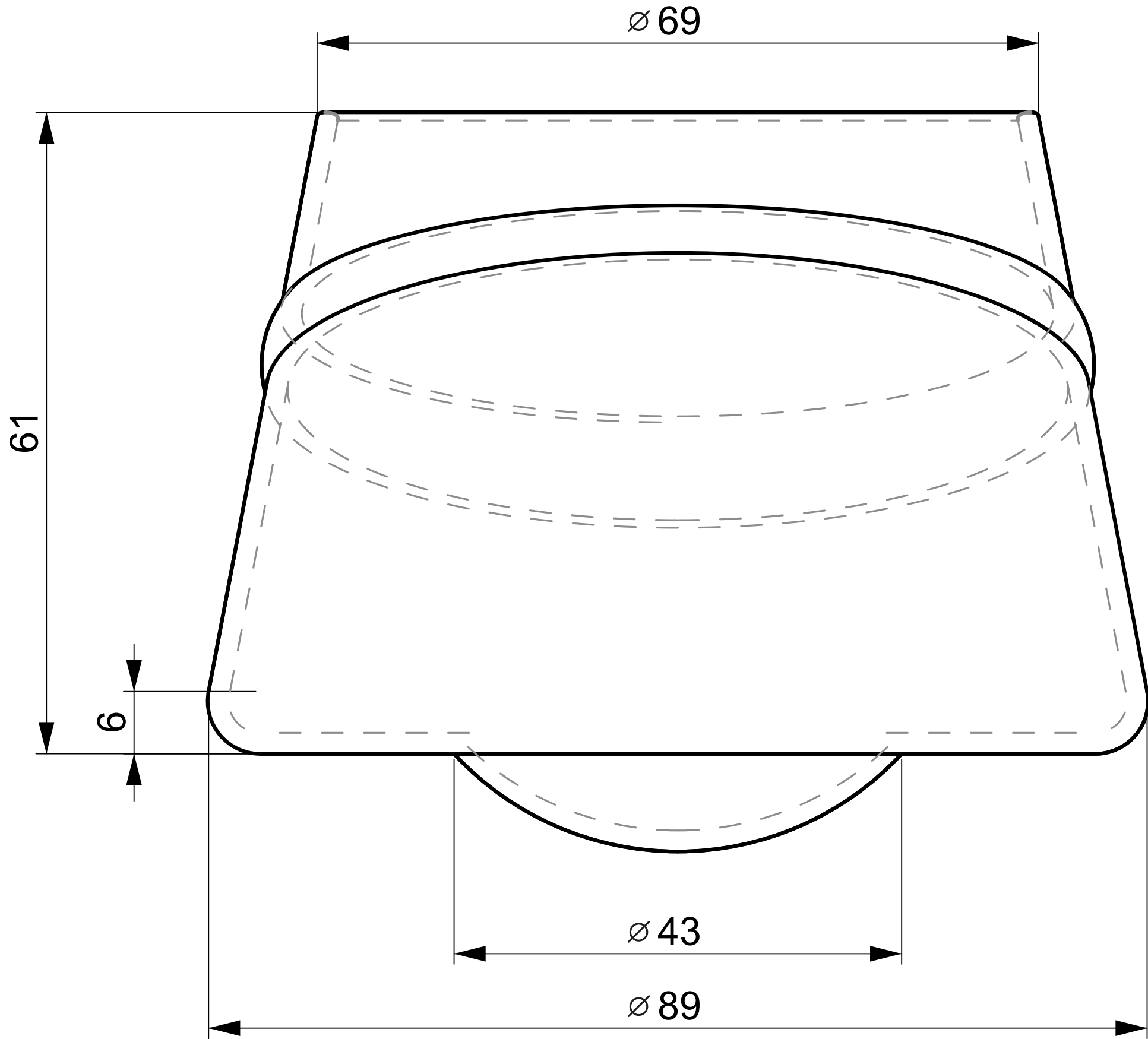




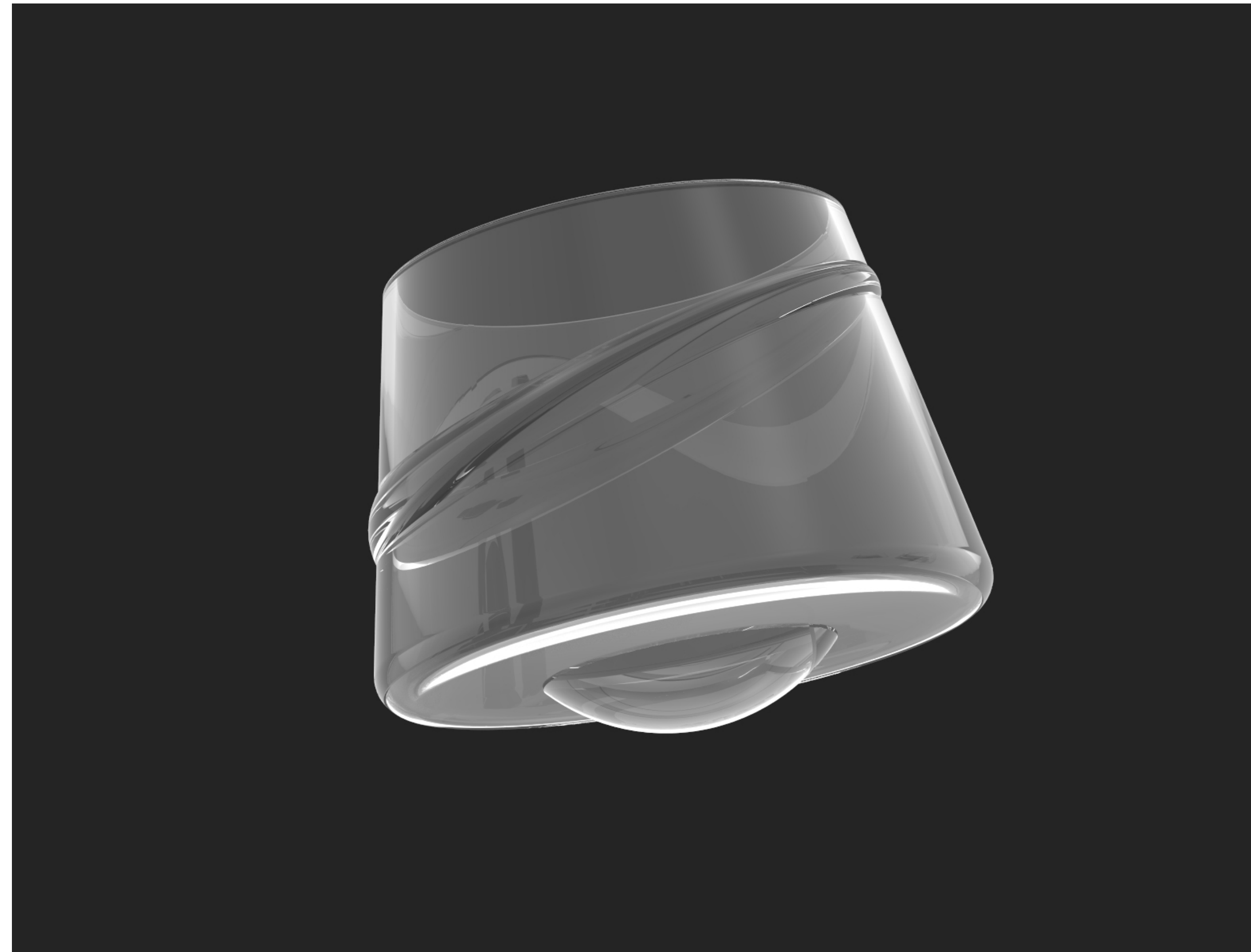
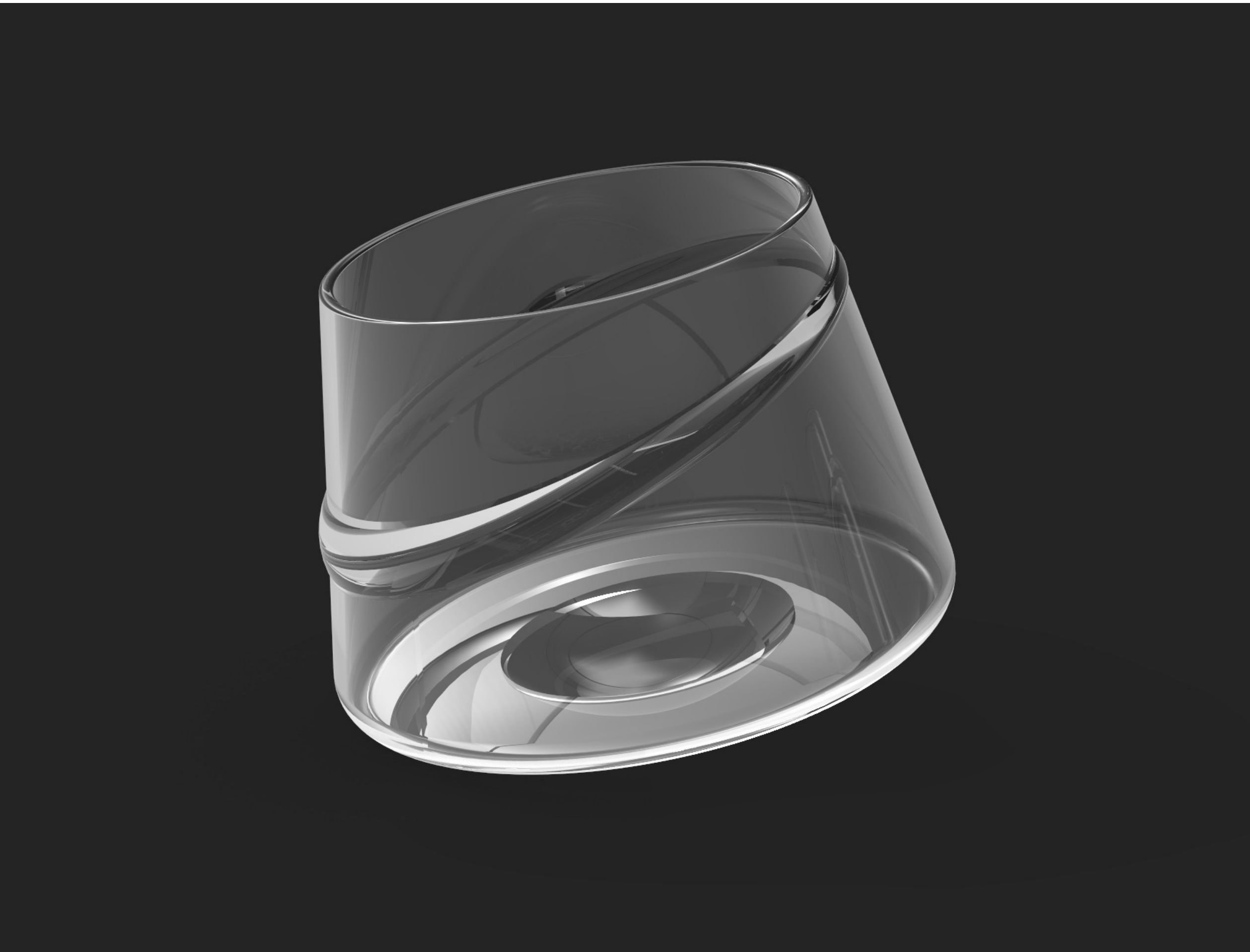
Crystal is such a noble material, that not much is needed to enhance its assets.

The dynamic detail of the rim, applied to the outer surface of the glass, adds to the temperament of the glass form when it moves, turning it into a mesmerising spinner.

Technical drawing



The design is inspired by the space age and contemporary minimalism, as the future remains undiscovered and the present equally fascinating.



The glass is equally suitable for alcoholic and soft drinks.

